

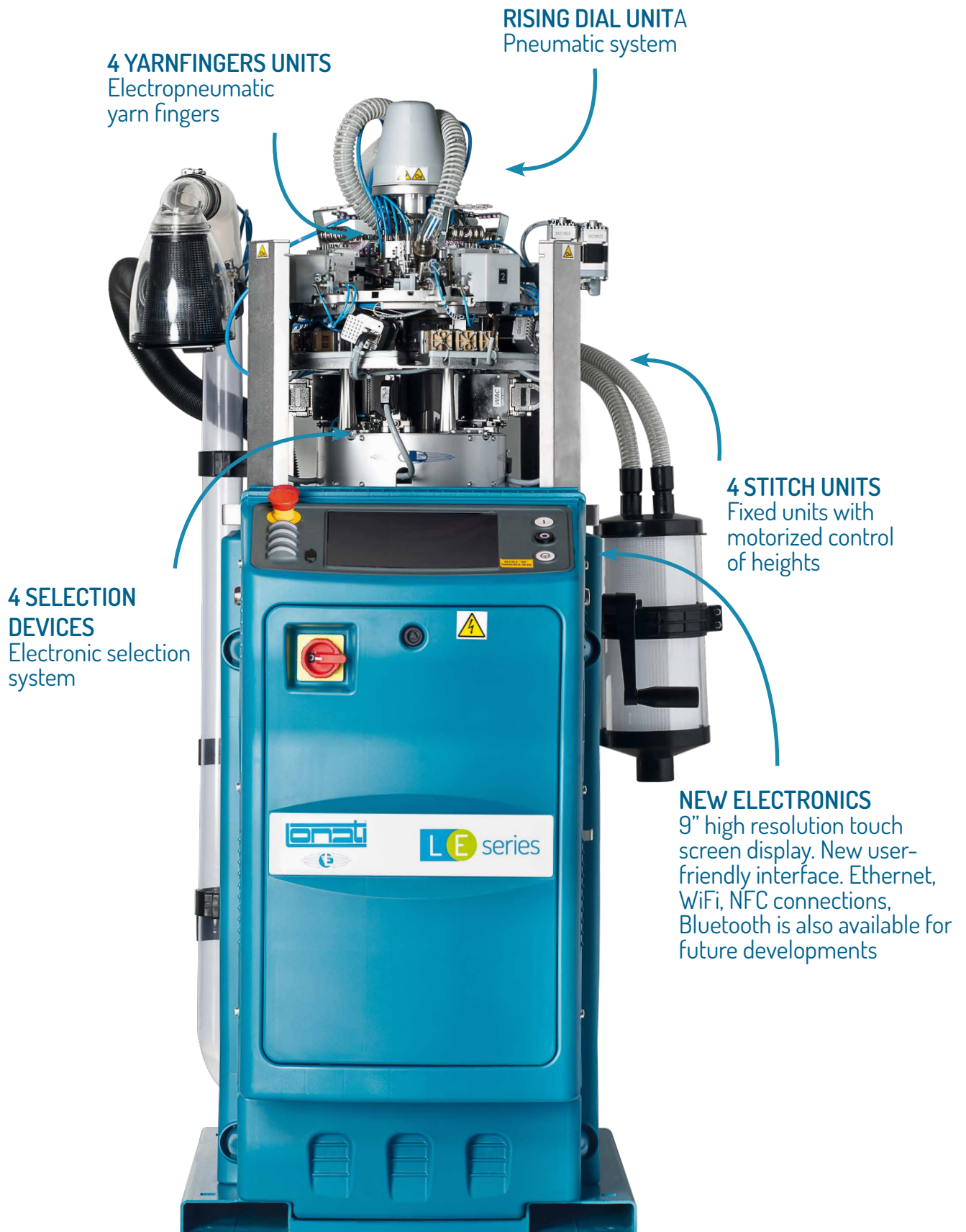
L **E** series

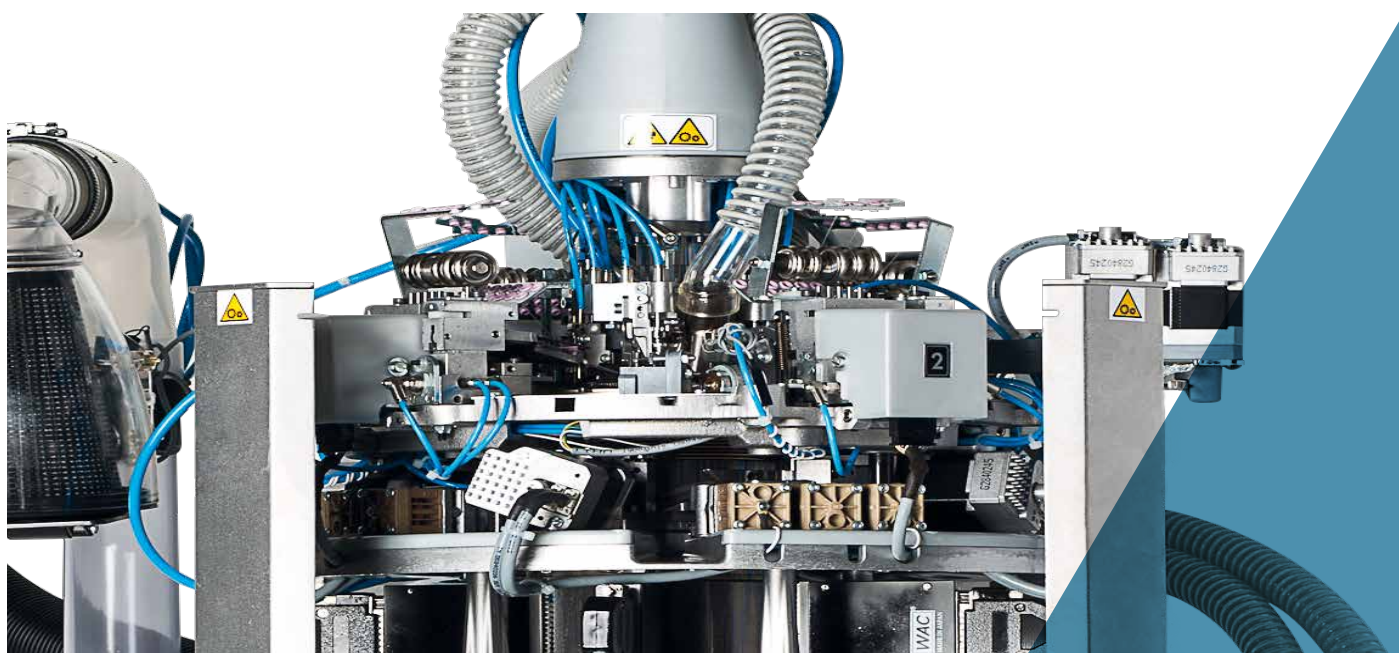
WOMEN'S SINGLE CYLINDER
LBE04M7



WOMEN'S SINGLE CYLINDER

LBE04M7





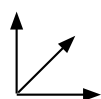
All images in this brochure are indicative and not binding.

WOMEN'S SINGLE CYLINDER LBE04M7

Electropneumatic single cylinder 4 feeds machine with 1 electronic needle-by-needle selection unit on each feed for the manufacture of pantyhose in jacquard, baguette and bikini patterns. 5 yarn fingers with dual pneumatic control on each feed, plus 1 plating motorized yarn finger for angular movement and 2 pneumatic controls for height and depth. Motorized stitch cams for ducking. Single or double dial jacks. Electronic device to maintain the size at any temperature of the machine.

- 4 feeds single cylinder machine
- 6 pliers suction unit
- 24 yarnfingers
- Motorized sinkers cap, 1 motor
- 4 motorized stitch cams
- 1 electronic selection unit on each feed

MACHINE DIMENSIONS



Length 60 cm + yarn creel cm 145
Depth 60 cm + yarn creel cm 145
Height 136 cm + yarn creel 265 cm

MACHINE WEIGHT



Machine 230 kg
Yarn creel 70 kg

CERTIFICATION



Green
Label

WOMEN'S SINGLE CYLINDER

LBE04M7

TECHNICAL DATA

MODEL	CYLINDER DIAMETER	GAUGE	NEEDLE THICKNESS
LBE04M7 (Needle latch 7 mm)	4"	32	0.34 mm

Above data are indicative and not binding.

STANDARD DEVICES

- 26 or 40 reels yarn creel
- Sock ejection hood
- Yarn waste filter
- Stepper motor controlled suction valve
- Rotary or fixed antitwist device
- 4 fixed stitch unit with motorized movement by heights
- 6 pliers suction unit (plates, hooks and cut-pick)
- 4 yarn sliding sensors
- Motorized radial plating on first yarnfinger
- Extra latch-opener for open-work

OPTIONAL DEVICES

- DREAM or DREAM ONE device for stretching socks in ejection
- 1,1 or 2,2 Kw suction fan
- Nautilus software licence
- Dinema GRYF yarn feeder, 12 max
- Dinema Plus medical or bare elastomer yarn feeders, 4 max
- Yarn sensors, 24 max
- Motorized sinkers cap, 2 motors
- Motorized rising dial unit
- Knit-in device kit

ALLOWED YARNS

The machine is designed to be used with the following yarns:

- Nylon;
- Filanca;
- Elastomers (bare, single or double cover);
- Stretch, for transparent items;

POSSIBLE KNITTINGS

The standard machine can perform the following knittings

- Plain knit
- 1:1, 3:1, 5:1, 7:1, 1:3 fixed mesh, micromech and diagonal mesh
- Different selections for vertical cutting bands
- Several 1:1, 2:2 (cut boss) pattern, bikini pattern, pattern heel, pushup etc.
- Supp-hose on 2 or 4 feeds
- Plain knit plating on 2 or 4 feeds
- Supp-hose on 2 or 4 feeds

WOMEN'S SINGLE CYLINDER

LBE04M7

NUMBER OF COLORS

Number of colors	- Working feeds 1-2-3-4: one color each course
------------------	------------------------------------------------

PRESTAZIONI

	4" CYLINDER DIAMETER
GAUGE	32
KNITTING FEATURES	550 rpm with pattern, stitch cams at 55°
	600 rpm plain knit, no pattern, stitch cams at 55°
	700 rpm plain knit, no pattern, stitch cams at 48°
	800 rpm plain knit, no pattern, stitch cams at 40°
MAXIMUM SPEED	800 RPM

Above data are indicative and not binding.

DISCLAIMER:

Speed may need to be adjusted according to the inclination of the stitch cams, to the mechanical parts in use and to the yarn.
N.B. All data in the brochure are for information only and subject to change without any prior notice from Lonati SpA.

PRESTAZIONI AMMESSE

CHART OF MAXIMUM ALLOWED SPEED IN PLAIN KNIT IN RELATION TO THE INCLINATION TO THE STITCH CAMS	
Stitch cam inclination	Maximum allowed speed in plain knit
40°	800
48°	700
55°	600

NUMBER OF POSSIBLE COLORS ON EACH COURSE ACCORDING TO THE NUMBER OF WORKING FEEDS	
Working feeds	Number of colors
1° - 2° - 3° - 4°	1 each course

AVAILABLE CYLINDERS	
GG75-0,34	320 - 336 - 352 - 368 - 384 - 386 - 400 - 402
GG70-0,41	288 - 320 - 336 - 352
GG54-0,50	176 - 208 - 240 - 256 - 288 - 320

Above data are indicative and not binding.

DISCLAIMER:

All data related to maximum allowed mechanical speed may require to be reduced (to be adjusted according to functional tests on the machine) when using specific particular yarns and/or knitting features.

WOMEN'S SINGLE CYLINDER

LBE04M7

NOISE LEVEL

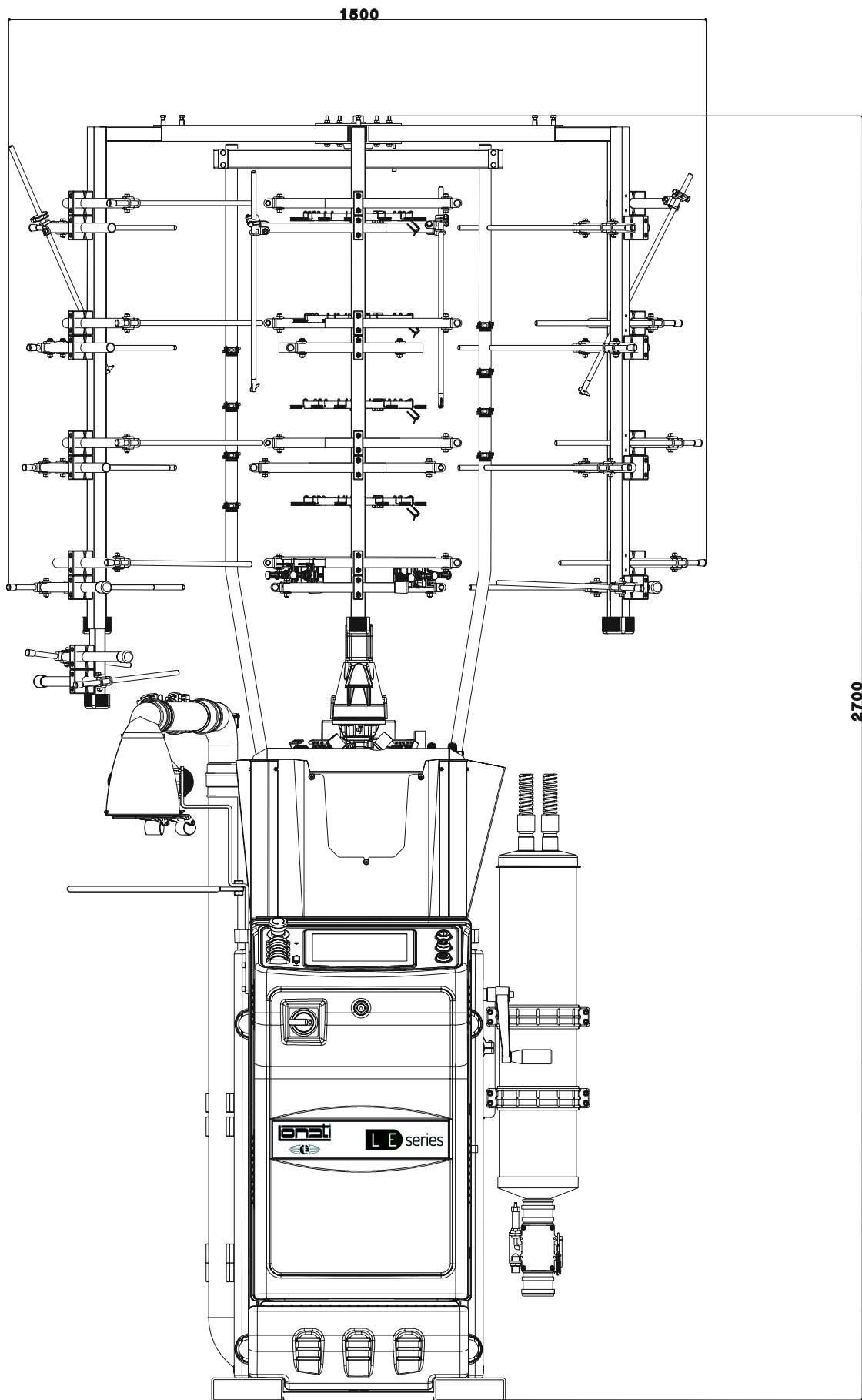
Machine average noise level, suction included LeqA = 74dBA

LUBRICANTS

Average consumption for 500/600 dozens: 1000 gr. - Lonati recommends: Fuchs Renolin Trax 14C - Kluber Tex Sintheso M32 - Esso Eil 0287

GREASE

For seals, bearings etc. Lonati recommends: Damping grease Nyogel 774F

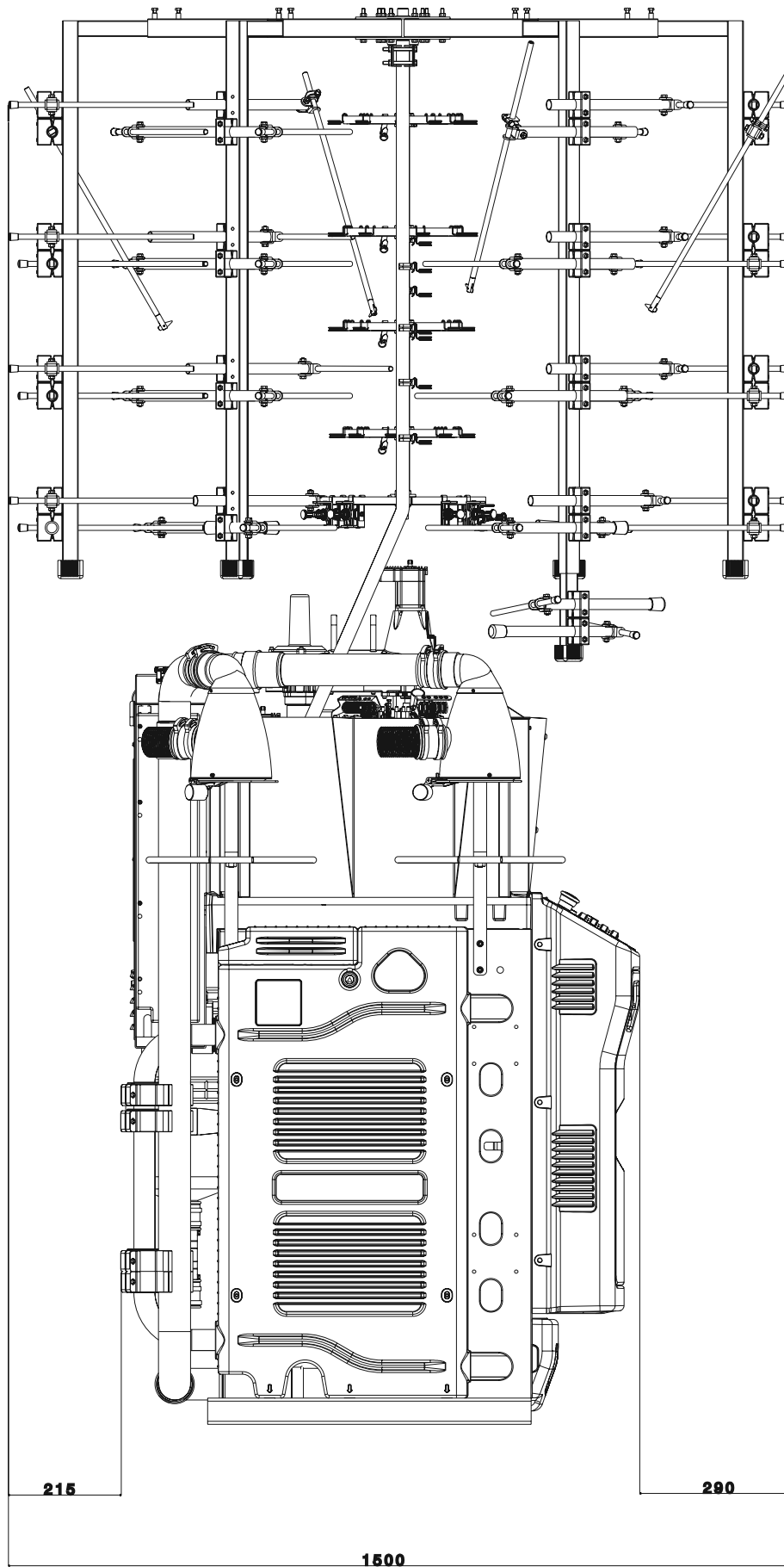


FRONT VIEW

Machine dimensions with 40 reels yarn creel

NOTE:

The picture may show fittings and equipment that are supplied on demand and not.



SIDE VIEW

Machine dimensions with 40 reels yarn creel

NOTE:

The picture may show fittings and equipment that are supplied on demand and not.





LONATI SPA
Via Francesco Lonati, 3 | 25124 Brescia (Italy)
Tel. +39 03023901 | Fax +39 030 2310024
C.F.: 01469680175 | P.iva: 02096730961
info@lonati.com - www.lonati.com